

# Easy Install® Speaker

Models SM1EZ, SM4T



## Description

The Bogen SM1EZ and SM4T Easy Install® Speakers are surface-mount speakers, designed to typically install in less than a minute. Installation is a simple, three-step process that does not require tools. First, two specially-designed studs pierce the ceiling tile. Second, two custom-designed wing nuts secure the speaker to the ceiling. Third, standard wire nuts make the electrical connection directly to the color-coded studs. Both the SM1EZ and SM4T are lightweight, durable speakers with a low-profile contemporary design, making them versatile enough to be installed in just about any installation with standard ceiling tiles.

The SM1EZ is a 1-watt single-tap speaker. The SM4T is a 4-watt multi-tap speaker with a rotary switch that eliminates transformer tap wires. Both models have an exterior volume control for easy balancing that is easily accessible, but doesn't attract tampering.

## Features

- Installs in less than a minute
- High intelligibility and efficiency
- Direct and reflected sound paths create wide dispersion angle
- Lightweight and durable plastic shell with a paintable finish
- Simple, three-step installation process
- No tool(s) installation
- Color-coded mounting studs identify polarity to make the electrical connection easier (no external wires)
- High-quality, wire-wound volume control on outside of speaker for easy access
- Can be installed in any drop ceiling with standard ceiling tiles
- Surface-mounting design eliminates need to cut ceiling tile, no mess installation
- Contemporary design blends/matches any decor
- SM1EZ has a single, 1-watt tap
- SM4T has switch selectable multiple taps for controlling output level (taps - 4, 2, 1, 1/2, 1/4 watts)
- O-ring seal holds speaker tight to ceiling surface, eliminating whistling and ensures smoother sound without peaks
- Smooth-topped studs easily pierce ceiling tile and secure wire nut connections
- Wide-bottom, easy-to-handle mounting wing nuts provide secure speaker mounting
- All necessary mounting hardware included
- Complies with NFPA National Code 160b and UL-2043. Report available.

**BOGEN®**

Specifications subject to change without notice.  
© 2002 Bogen Communications, Inc.  
Part No. 54-7620-01R2 Printed in U.S.A. 0210

**Technical Specifications**

	<b>SM1EZ</b>	<b>SM4T</b>
<b>Power Rating (max.):</b>	1W	4W
<b>Selectable Power Taps:</b>	N/A	4, 2, 1, 1/2, 1/4 (rotary switch selectable)
<b>Constant Voltage Amp Type:</b>	70V	70V
<b>Frequency Response:</b>	125 Hz-15 kHz	125 Hz-15 kHz
<b>Sensitivity (min.) (1-watt @ 1 meter on axis):</b>	90 dBspl	90 dBspl
<b>Dispersion (min.):</b>	120°	120°
<b>Controls:</b>	Volume Control	Volume Control; Tap Selector Switch
<b>Product Weight:</b>	2 lb.	2 lb.
<b>Shipping Weight:</b>	3 lb.	3 lb.
<b>Diameter:</b>	9-1/2"	9-1/2"
<b>Height:</b>	3"	3"
<b>Base Diameter (against ceiling):</b>	8-3/4"	8-3/4"
<b>Construction:</b>	ABS Plastic	ABS Plastic
<b>Flame Rating:</b>	94-5VA	94-5VA

**Architect & Engineer Specifications**

The speaker shall be a Bogen Model \_\_\_\_\_ (specify SM1EZ or SM4T). The frequency response shall be 125 Hz to 15 kHz. Dispersion angle shall be no less than 120°. Sensitivity, measured 1-watt @ 1 meter on axis, shall be a minimum of 90 dBspl.

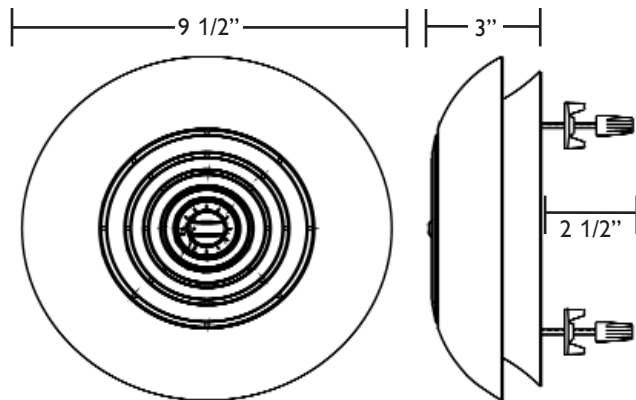
**Use for SM1EZ.** The unit shall incorporate a 1-watt single-tap with wire-wound volume control for use in 70V constant voltage speaker systems.

**Use for SM4T.** The unit shall incorporate a rotary switch to select power settings of 4, 2, 1, 1/2, and 1/4 watts with wire-wound volume control for use in 70V constant voltage speaker systems. The speaker's settings are to be rotary-switch selectable.

The speaker shall comply with NFPA National Code 160b that allow speakers to be installed in plenums and other air handling spaces. The speaker shall also comply with UL-2043 (report available).

The speaker shall be of durable ABS plastic construction and shall be mounted using specially designed studs that easily pierce ceiling tiles. Custom-designed wing nuts shall be used for securing the speaker to the ceiling tile, as well as two standard wire nuts to connect the speaker wires to the studs. One stud shall be copper-plated and the other nickel-plated as a means of designating polarity. The speaker shall include a large, rubber O-ring seal to hold the base of the speaker cavity tight to the ceiling tile.

The unit shall measure 9-1/2" in diameter by 3" in depth. Base diameter against ceiling shall be 8-3/4". Product weight shall be 2 lb.



Front View

Side View

**BOGEN<sup>®</sup>**  
**COMMUNICATIONS, INC.**

50 Spring Street, Ramsey, NJ 07446  
Tel. 201-934-8500, Fax: 201-934-9832, Web Site: www.bogen.com